

# 1-135 Quarter-Turn with Drip Handle Pr20.1 L18

Hand operable with or without key, IP65, Optional pre-assembly

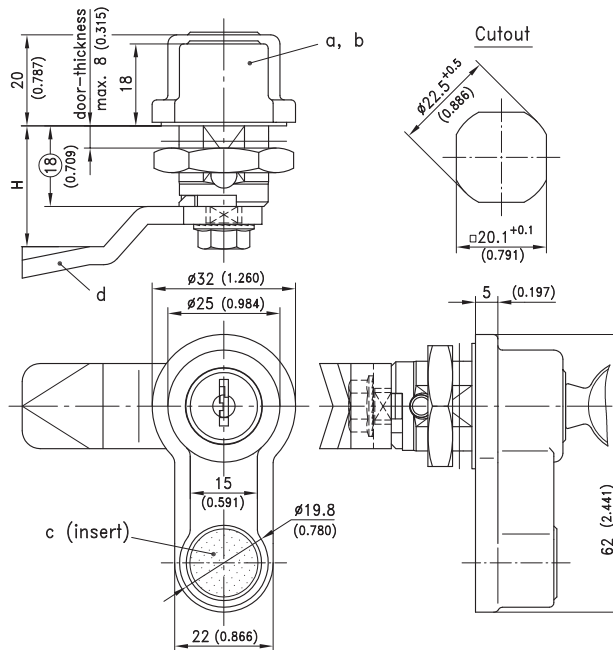


## Product Notes:

- Colored inserts are available to clip into the lower part of the handle
- Components can be pre-assembled by DIRAK upon request
- Pre-assembled Quarter-Turn can be installed in cutout
- RH and LH application

## Material:

- **Handle:** PA, Black with Zinc Die Core
- **Housing:** Zinc Die, Chrome Plated
- **Cylinder:** PA, Black or Zinc Die, Chrome Plated
- **Blind Plug:** PA, Black
- **Insert:** PA, Black or Colors
- **Cam:** Steel, Zinc Plated



a) Quarter-turn with drip handle with black clip-in insert and plain grounding nut	Non Locking	Keyed alike DIRAK 1333*	Keyed alike DS200*	Keyed Different	See Page
Key cylinder PA	-	200-9392**	-	200-9393**	
Key cylinder Zinc Die	-	200-9395*	500-9395*	200-9396	
Blind plug	200-9394**				
b) Quarter-turn with Drip Handle without clip-in insert, with plain grounding nut					
Key cylinder PA	-	200-9381**	-	200-9382**	
Key cylinder Zinc Die	-	200-9390*	500-9390*	200-9391	
Blind plug	200-9389**				
c) Colored inserts, on request					
color	Part No.		color	Part No.	
red	207-4902-00.00001		orange	207-4902-00.00005	
blue	207-4902-00.00002		mint	207-4902-00.00007	
green	207-4902-00.00003		purple	207-4902-00.00008	
yellow	207-4902-00.00004				
d) Cam/3-point cam					01.101, 01.102
Optional:					
e) Assembling of inserts	207-0015	207-0015	207-0015	207-0015	
Assembling cam 90° to handle without O-ring	200-0019	200-0019	200-0019	200-0019	
Assembling cam for left door	200-0020	200-0020	200-0020	200-0020	

\* with stainless dust-shutter

\*\* Water and dust tight according IP65